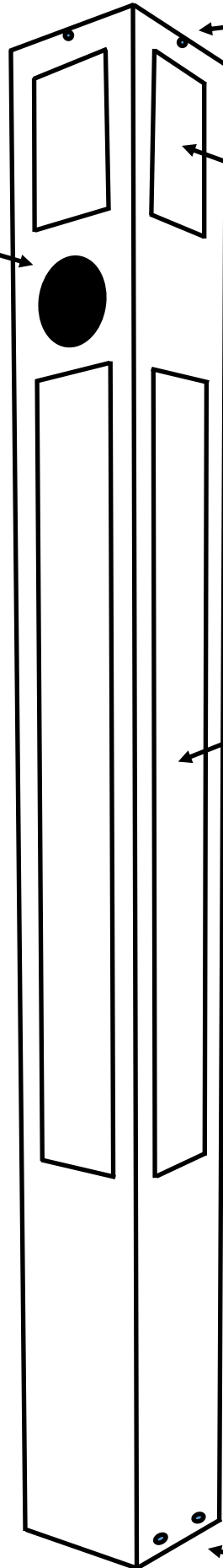




Microwave sensor
&
Ir remote
controller receiver

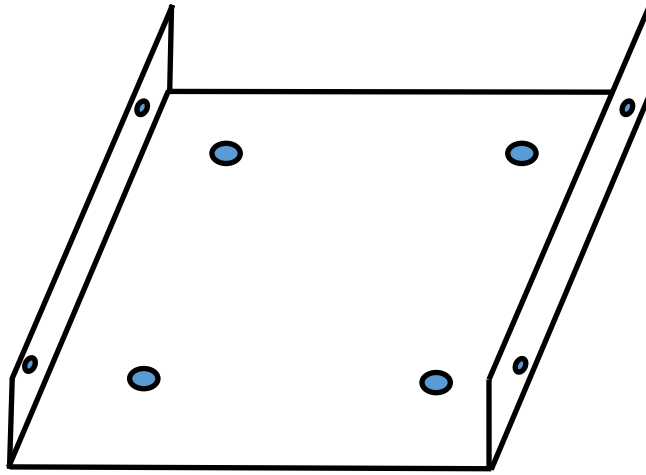
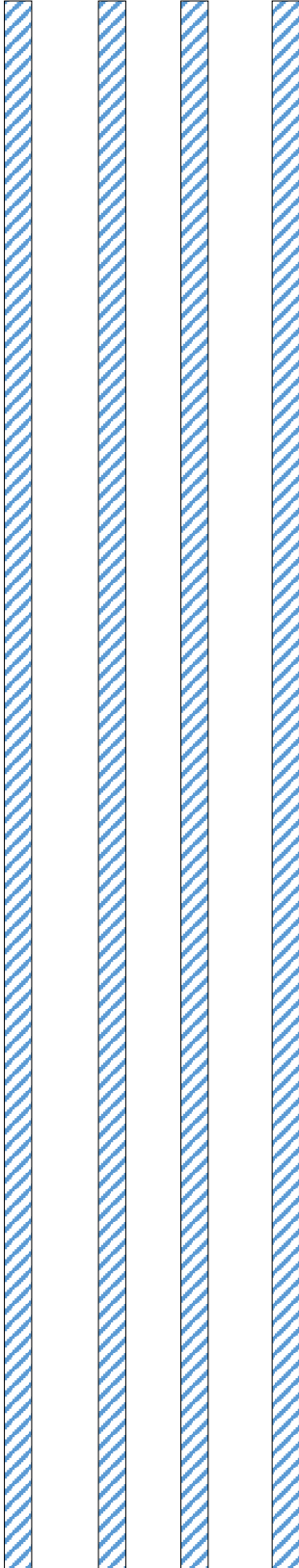


4 x M3 x 8 screws
One on each side

LED output

PV panels
Available on all sides of
the bollard

M4 Base crews
2 x 2 units at 2 sides

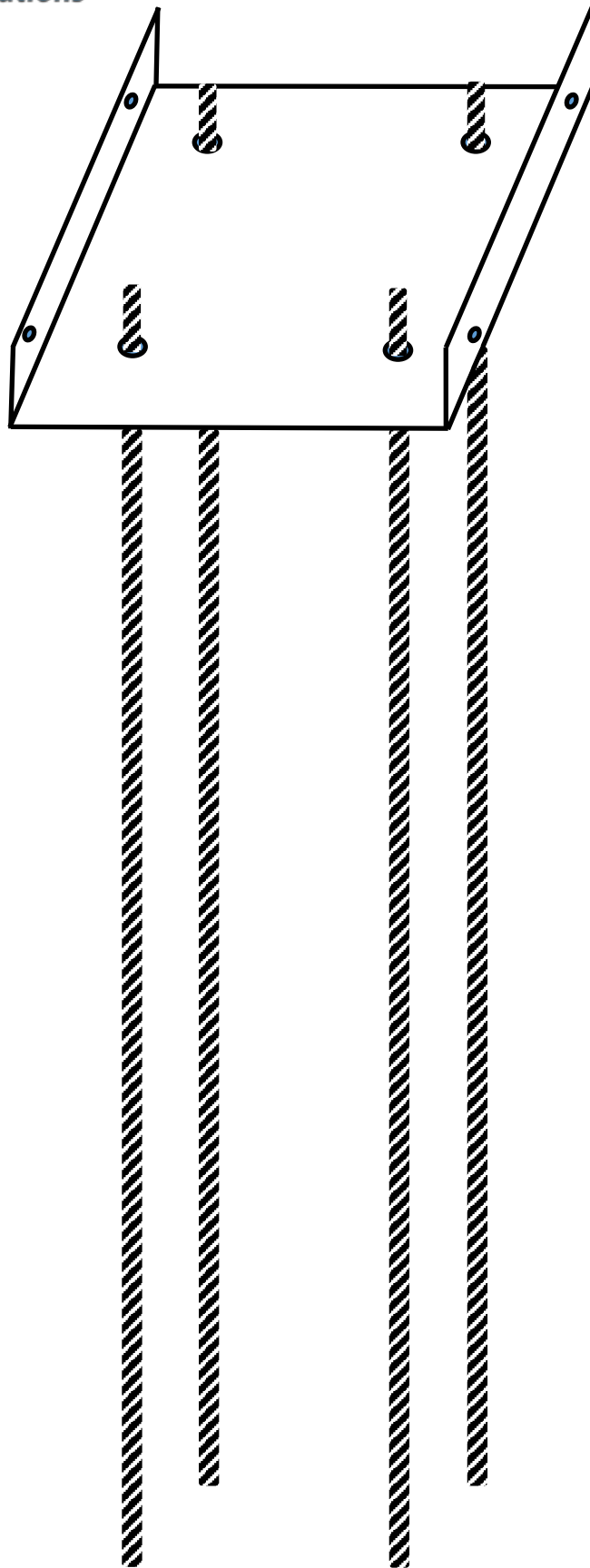


Base Bracket of SPBS100

39in x 3.9in x 3.9in

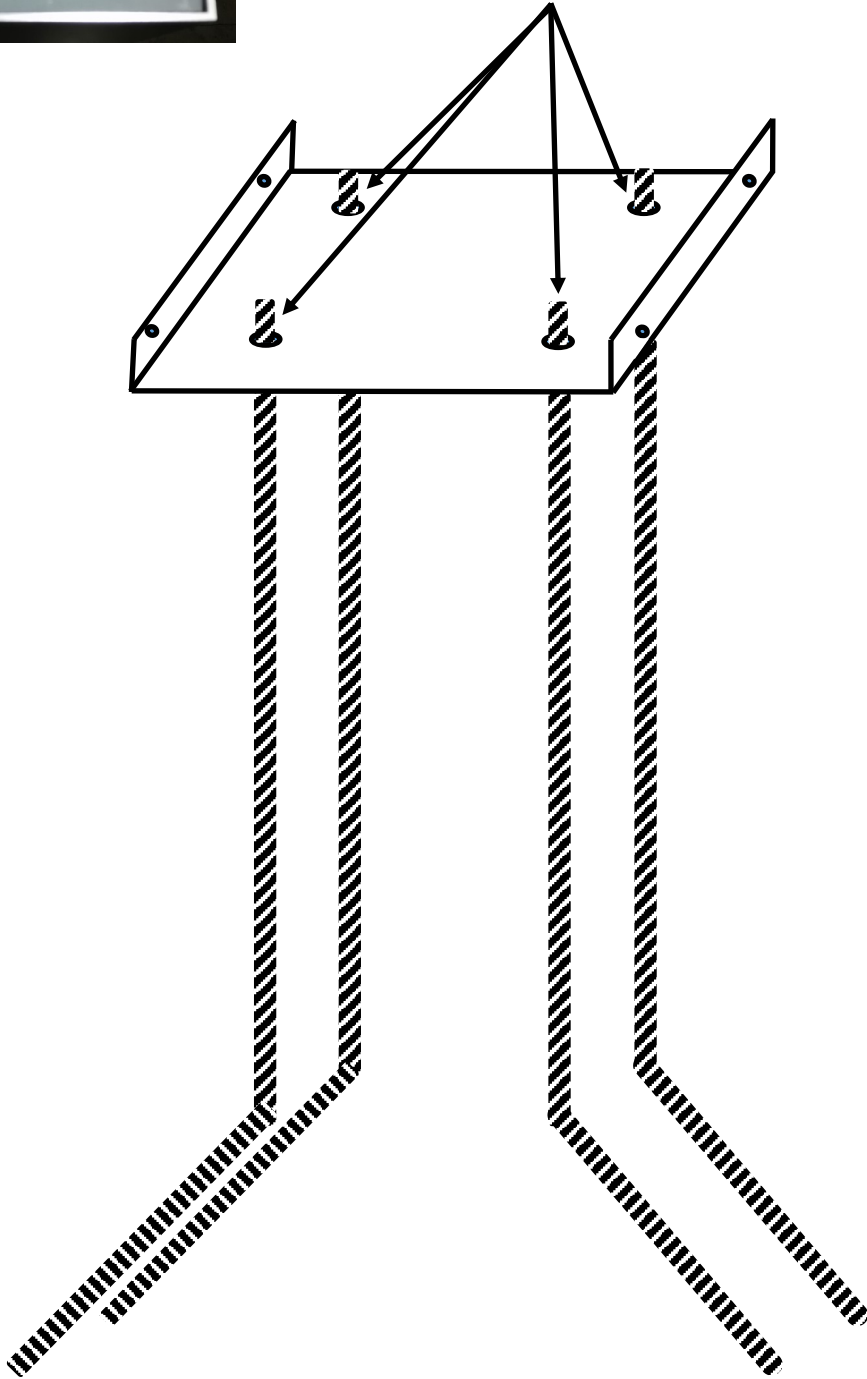
4 x 4 units Rod M6

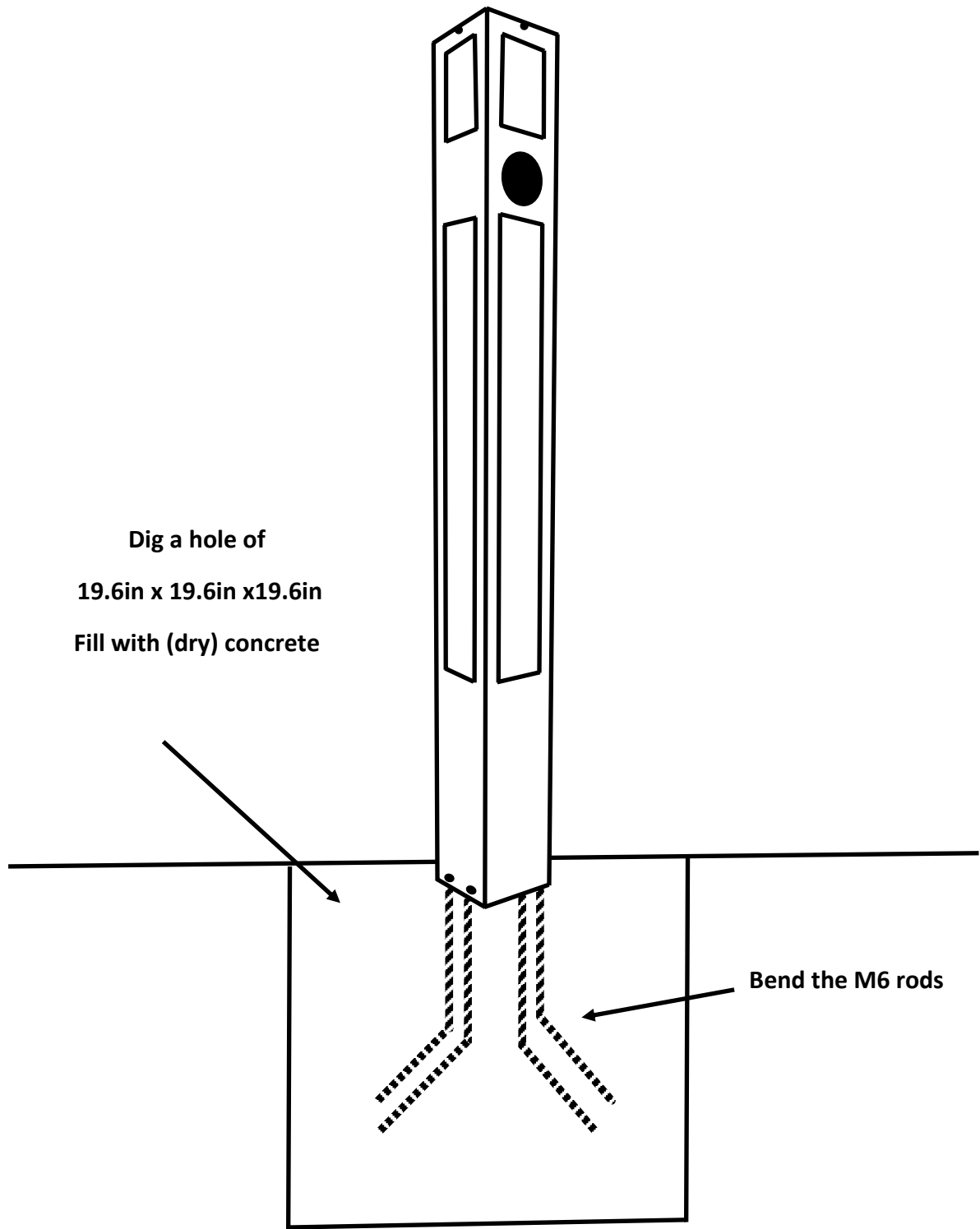
(not included with the SPBS100 Bollard)





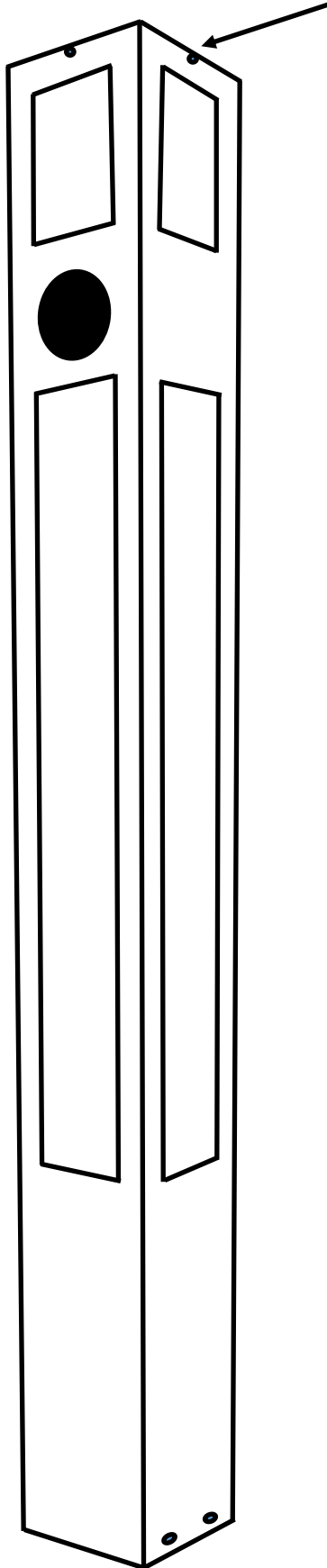
Turn M6 rods inside the
base bracket



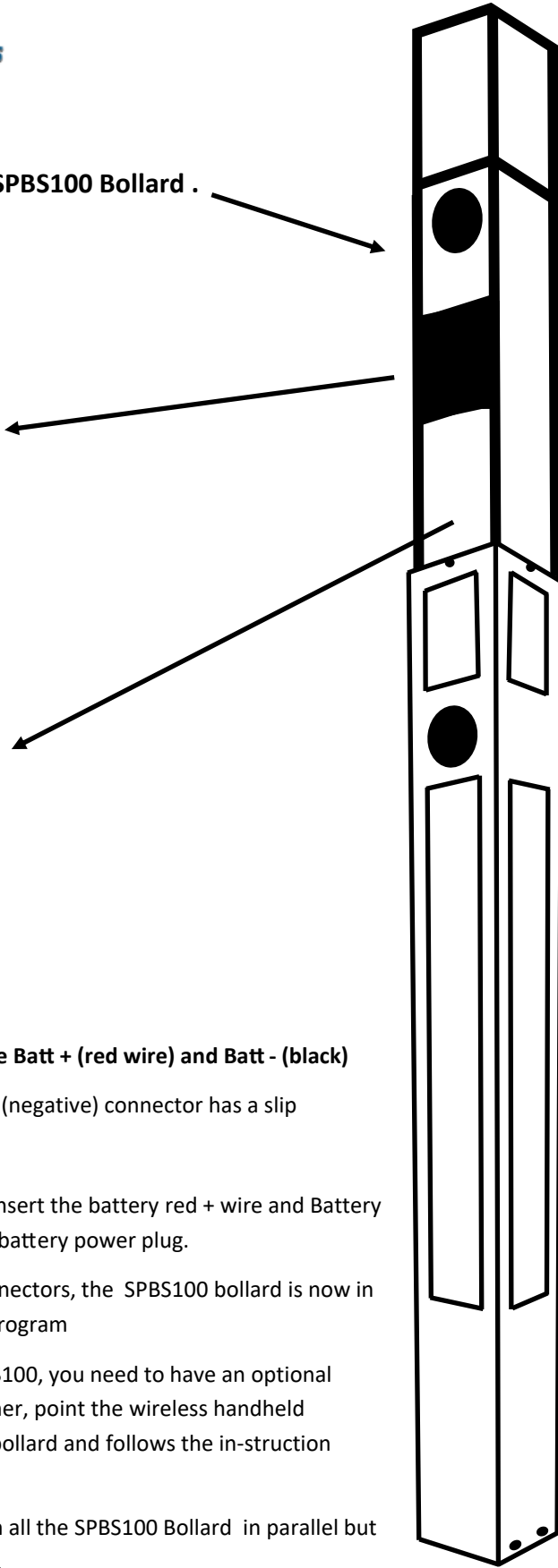
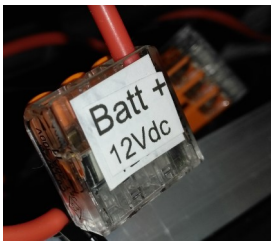
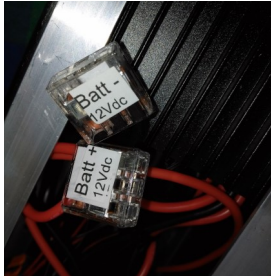


How to set the Bollard on service

Unscrew on top of the SPBS100 bollard the 4 x M3 x 8 stainless steel screws



Slide out the top frame of the SPBS100 Bollard .



You will find at the base the Batt + (red wire) and Batt - (black)

- Batt + (plus) & Batt - (negative) connector has a slip
- Open the slip
- Now you can easily insert the battery red + wire and Battery black - wire into the battery power plug.
- Lock the Battery connectors, the SPBS100 bollard is now in service or ready to program
- To program the SPBS100, you need to have an optional dedicated programmer, point the wireless handheld programmer to the bollard and follows the in-struction delivered on paper.
- Never try to program all the SPBS100 Bollard in parallel but program one by one.