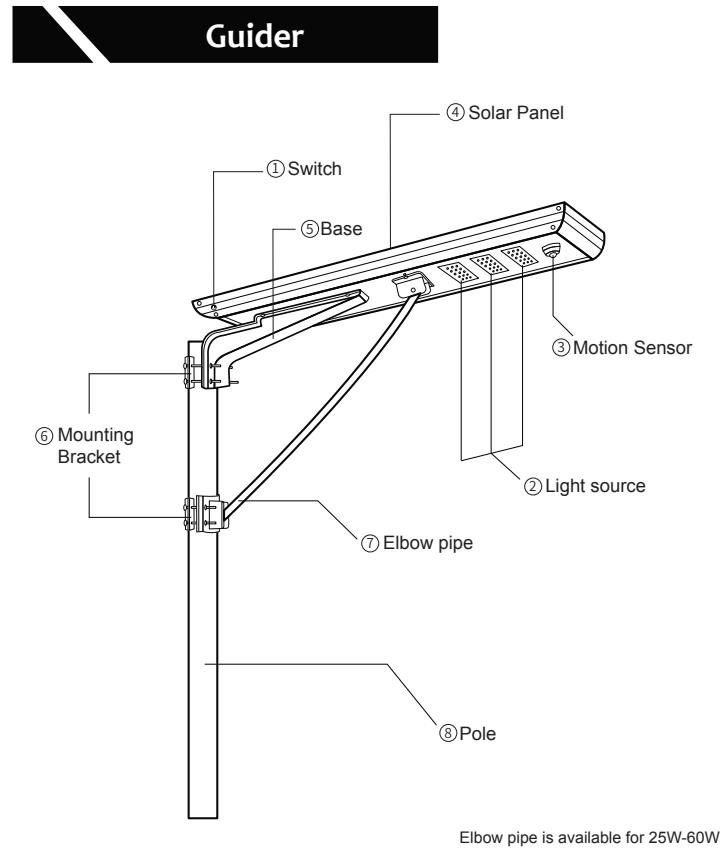


User Manual

HIGHLIGHT HL-ML-E SERIES

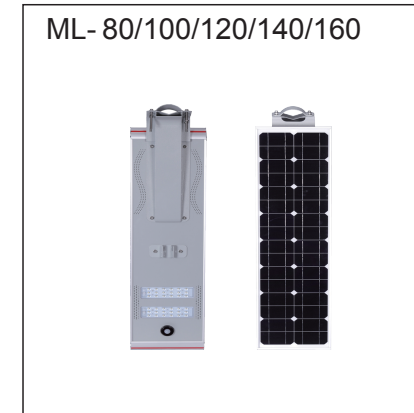
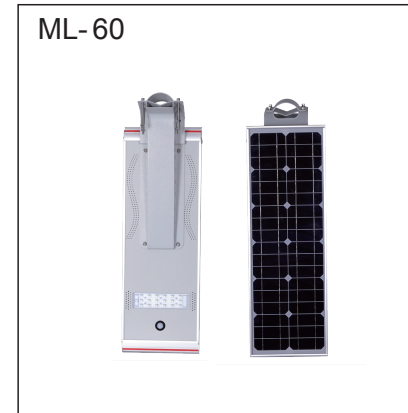
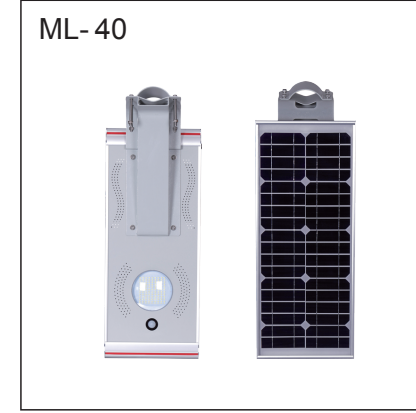


Elbow pipe is available for 25W-60W

- | | |
|-----------------|--------------------|
| ① Switch | ⑤ Base |
| ② Light source | ⑥ Mounting Bracket |
| ③ Motion Sensor | ⑦ Elbow pipe |
| ④ Solar Panel | ⑧ Pole |

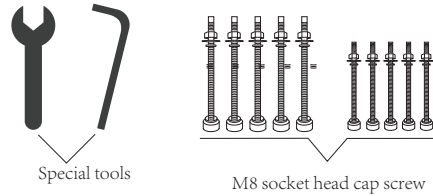
Note:

- I. Please keep battery charged fully before use.
- II. Small watt under 25w do not have the mounting bracket.
- III. ML-40, ML-60 have to be activated before use.
 1. Turning on the switch.
 2. Facing the solar panel to strong light, like sunshine or man-made light.
 3. The light has been successfully activated when sensor is flashing with light.

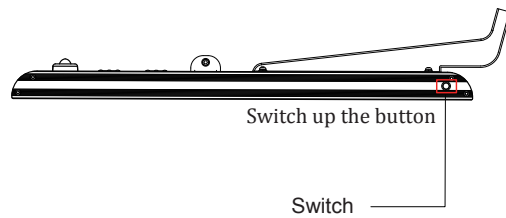


Installation Steps

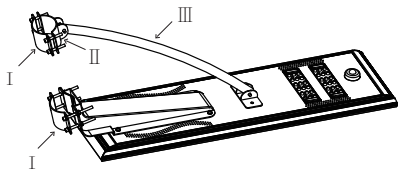
1. Open the package and check if components are completed as follows:



2. Turn on the switch before installation (Light is off when switch pushed in).

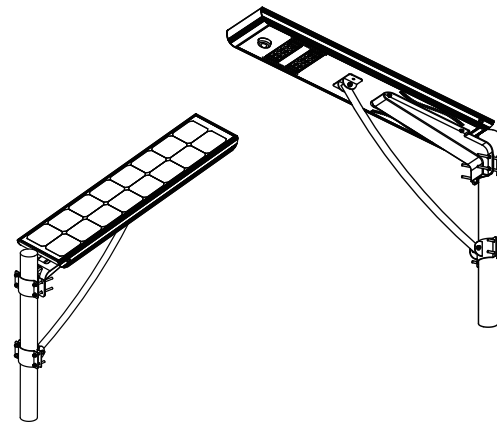


3. Preinstall parts I、II、III according to the drawing.

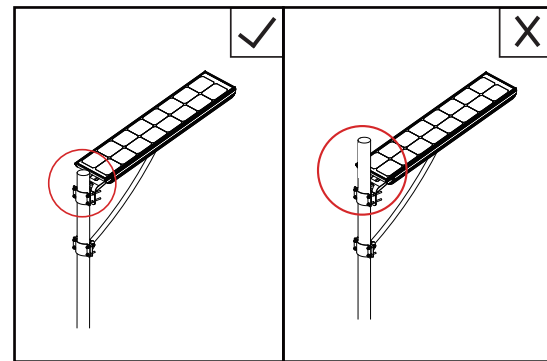


- 4 -

3. Place integrated solar street light into the top of pole, fasten the screws with special tools and ensure the light is firm.



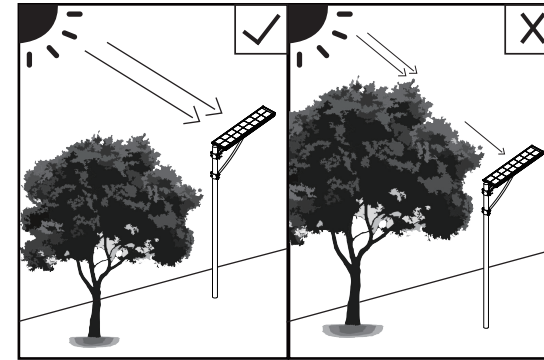
NOTE



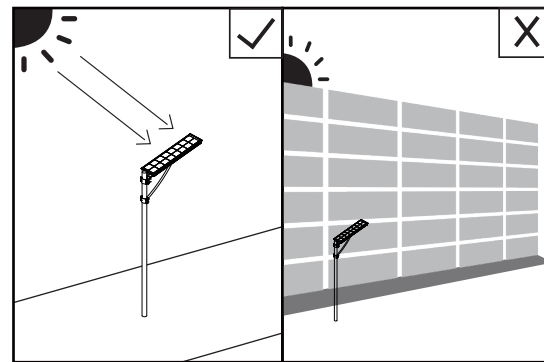
- 5 -

Special Note

NOTE One



NOTE Two

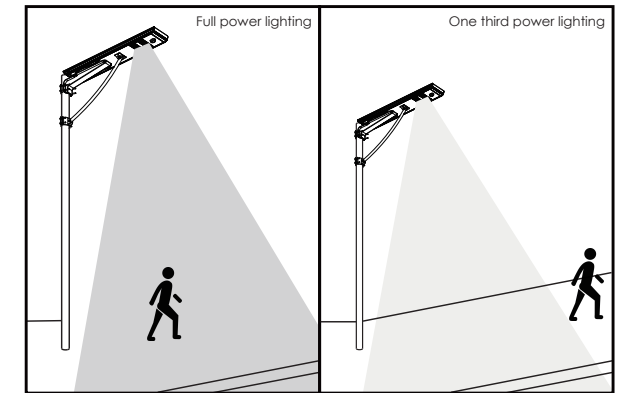


When install the integrated solar street light, please choose a position with enough sunshine and fully exposure. Please note the solar panel must be fully exposure, without any shelter.

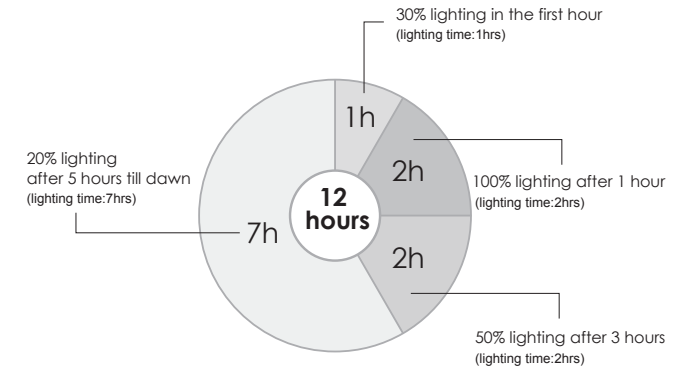
- 6 -

Lighting Mode

PIR Motion Sensor



Timer Control



NOTE: Total lighting time is 12 hours.

- 7 -