

DECORATIVE LED LIGHT

SPBDL-F



The SOLARPATH SPBDL-F™ is the premier LED solar illumination technology in its class today. Ultra-bright/High Intensity LED lighting means a total lighting solution for any need. The lighting fixture can be use up to 60W and can be controlled via remote control.

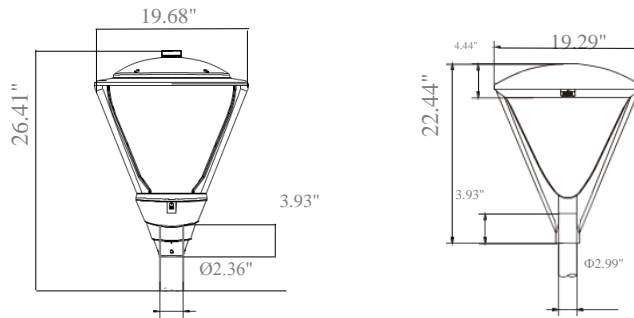
TECHNICAL PARAMETERS

Power	20W-60W
Input	AC90-305 V or AC220-240 V or 12/24DCV
PF	>0.95 cos
L85	Up to 100,000 hrs
Operating Temperature	-31F- 122F
Efficacy	143lm/W
ANSI CCT	3000K/4000K/Amber
Min CRI	70* or 80
IP Rating	IP66
Timing	Optional
DALI	Optional
1-10V	Optional
PWM	Optional
Optic (IESNA)	Type II, Type III, Type IV, Type V
Optic	PC (standard) / PMMA (option)
Color Options	Black (*Other colors up on request)
Material	Die cast Aluminum

FEATURES & BENEFITS

- High lumen output and high mounting height solution.
- Thermal control system to ensure long lifetime.
- Tool free design for easy installation and maintenance.

CERTIFICATIONS



Ordering Guide

EXAMPLE: SPBDL-F-A-20W-2-30K-BLK-00

LED Type	MODEL (Nominal Power)	OPTIC LENS	CCT (ANSI)	OPTIONAL COLOR	LIGHTING CONTROL
	AC90-305 V or AC220-240 V or 12/24DCV				
A -	20W 30W 40W 50W 60W	2- Type II 3- Type III 4- Type IV 5- Type V	★ 30K ★ 40K ★ Amber * Other colors available	★ BLK * Other colors available	00 No motion sensor 01 Motion Sensor 04 DALI 05 1-10V dimming
B -					

