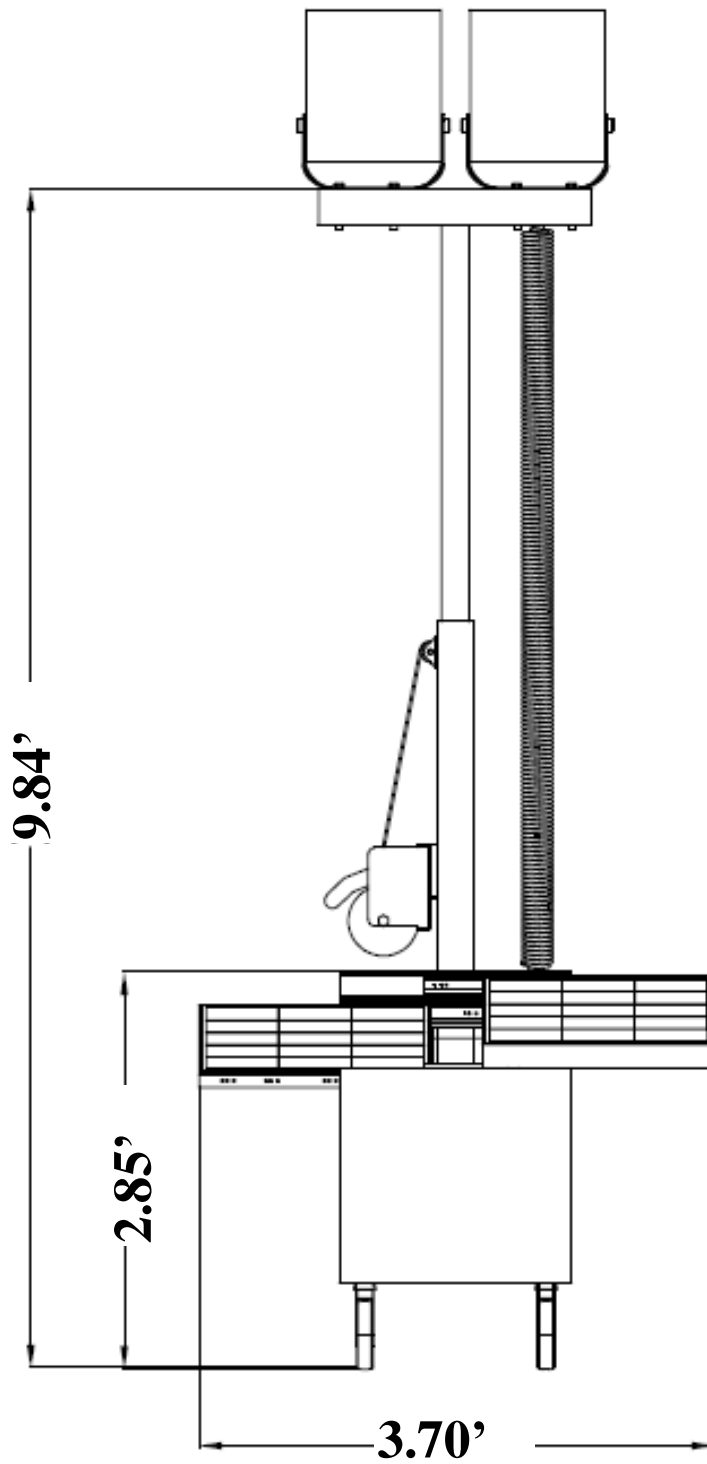


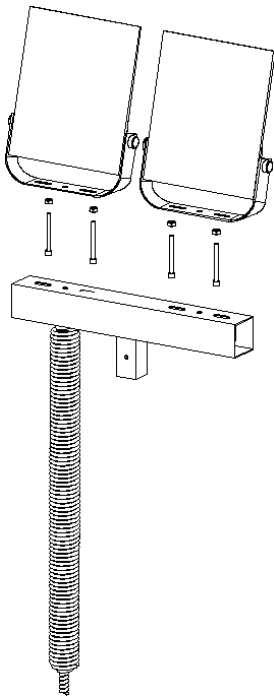
SP-SLT-160

SOLAR LIGHTING TOWER INSTALLATION INSTRUCTIONS

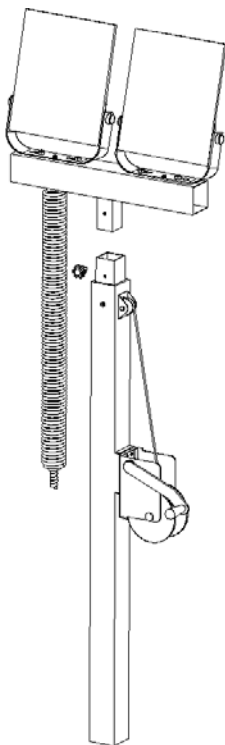


Solar Light Tower Dimensions

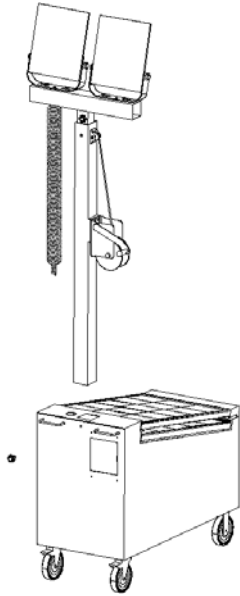




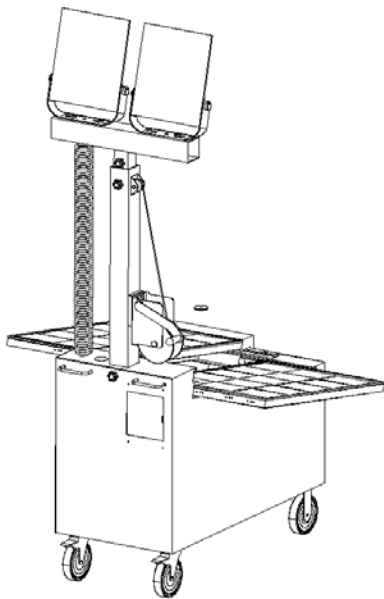
Step 1: Fix the LED lamp holder on the upper lamp holder with screws and nuts, and connect the wires.



Step 2: Insert the upper lamp head with the lamp into the inner lamp pole, and twist the M8 hand screw nut.



Step 3: Insert the light pole with the lamp, and tighten the M8 hand-twisted nut that fixes the square cabinet and the light pole.



Step 4: Pull apart the two solar panels of the lamp body, pass the spring wire through the hole on the top of the box and lock the plugging piece to the end of the wire (note the direction of the plugging piece, the outer step faces the spring direction), then connect it to the wire with a quick clip inside the box, loosen the wire, pull the wire from the outer spring to fix the plugging piece at the hole by the elastic force of the spring wire, and gently twist the nut on the outer light pole. Twist to the light pole (when the inner light pole is raised and lowered, the nut on the outer light pole must not be pushed onto the inner light pole).

Pictures

