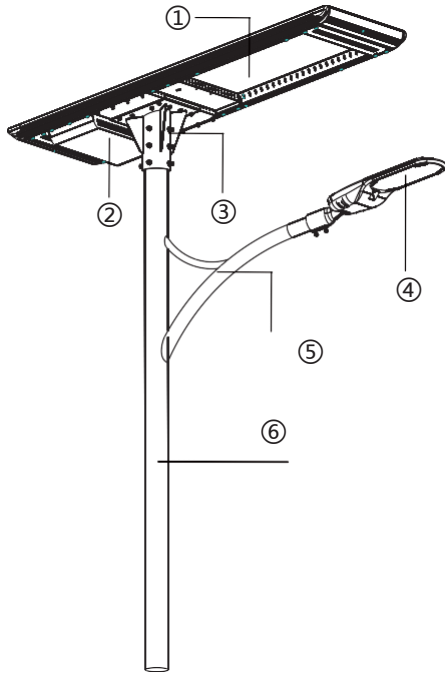
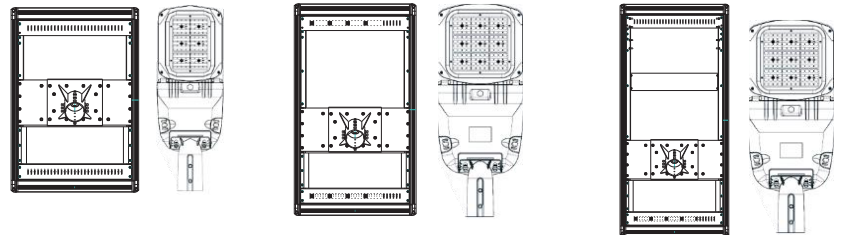


HIGHLIGHT SP-NALF

Installation instructions



No.	Description
①	Solar panel
②	Battery
③	Sleeve
④	LED
⑤	Arm
⑥	Pole

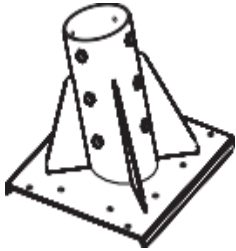


HIGHLIGHT SP-NALF

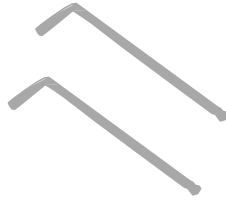
Installation instructions



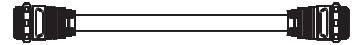
Component list



Sleeve * 1
(I)

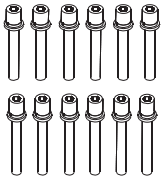


Special tools



Light source extension
(V)

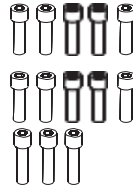
Screws



12pcs M8*30
Socket head cap
screws with
washers
(I)



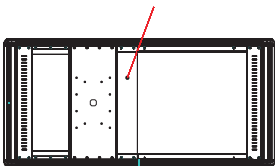
1pc M8*30
Socket head cap
screws
(II)



11pcs M8*20
Socket head cap
screws
(III)

1. Connect LED and solar panel with the connector cables.
2. Take the fixture on flat surface, turn the switch on
(Press it up = ON, Press it down = OFF) check the working state.

Switch Button
Press it out: light on



Note:

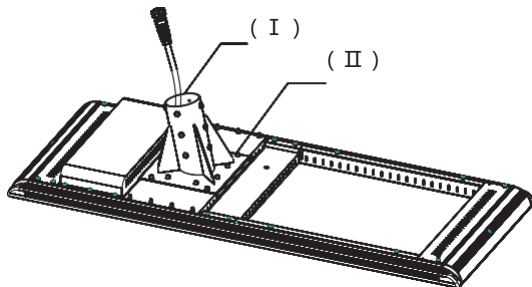
1. Discharging test: Cover the solar panel and wait for some seconds until the LED lights turn on, get closer to the PIR sensor, brightness will increase when detected.
2. Charging test: Face the solar panel direct sun and wait for some seconds until the LED lights turned off; The lamp gets charging when the indicator flash slowly.
Cover the solar panel again and the LED lights will turn on again, this shows the charging is OK.

HIGHLIGHT SP-NALF

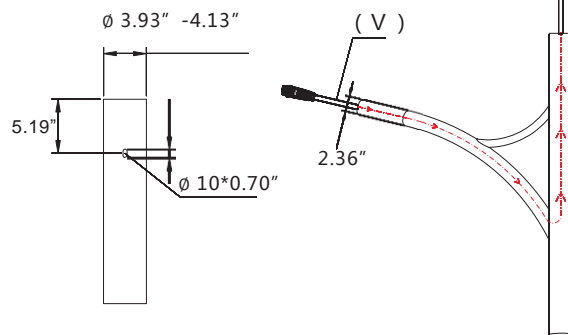
Installation instructions



3. Match the sleeve and the base (I) to the needed installation angle, preinstall the screws (II) *12 and fasten it with the tool.

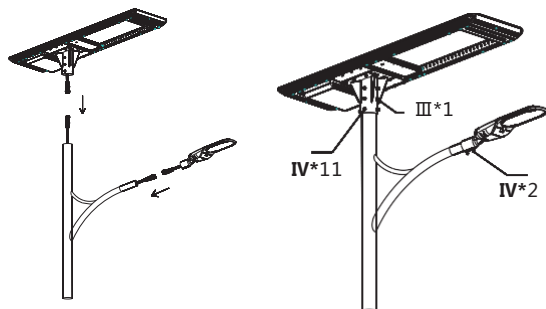


4. ① Drill a 10*0.70" through hole at 5.19" from the top of the pole to fix the bracket (Can use the bracket to locate the hole position).
- ② Thread the light source extension cable (V) in the fitting through the pole arm and the top of the pole.



5. A. First, connect the tail cable of the solar panel with the extension cable in a pole, and lock the joint. Fix the solar panel on a top of the pole, fixed it respectively by using 11pcs M8*0.78" (IV) and 1pc M8*1.18" (III) screws, make sure that the M8*1.18" screw is locked on the pole mounting hole. Use special tools to lock the screw to ensure that the solar panel is firmly installed on a pole!

B. Then connect the tail cable of LED fixture and the extension cable in the pole arm and lock the joint. Insert the LED fixture to the arm and fixed it with 2pcs M8*0.78" (IV) and lock the screws with a special tool to ensure that the LED fixture is firmly installed to the pole!



When install the integrated solar street light, please choose a position with enough sunshine and fully exposed. Please note the solar panel must be fully exposed, without any shelter.

