

SOLAR BOLLARD 2SPBL13/2SPBL14



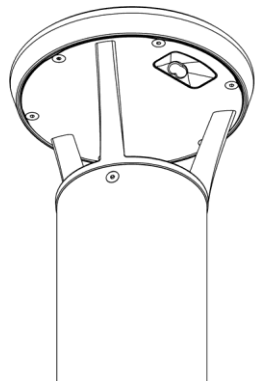
Installation instructions

PRIOR TO INSTALL

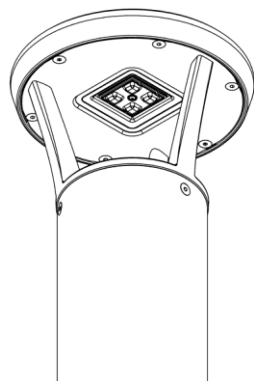
Ensure install location receives at least 2 to 3 hours of midday sun on average. Please handle bollard with care as scratches will affect appearance and powder coat durability.

2SPBL13/14 MODEL

Please refer to the diagram below to identify the model you are installing.



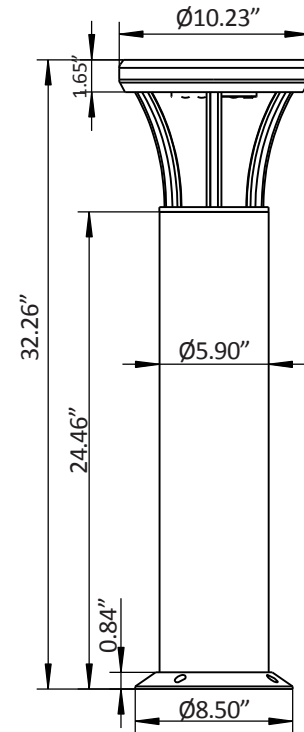
2SPBL13/14-T3



2SPBL13/14-T5

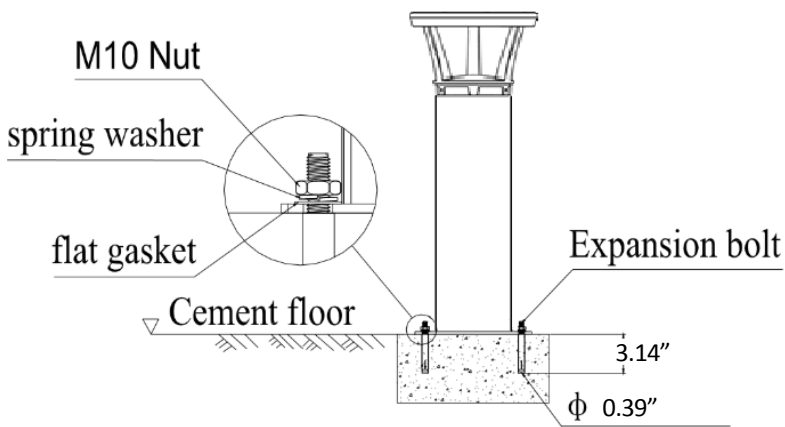
TOOLS REQUIRED

- 5/32 inch hex key
- 3/4 inch wrench or deep socket

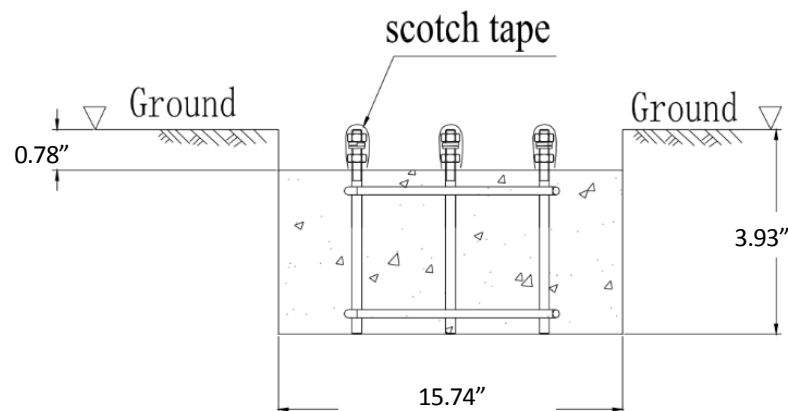


INSTALLATION

With a one to two foot setback from the path or area to be illuminated, install concrete footing with supplied anchor bolts. Align anchor bolts to path as shown below using the supplied cardboard template to hold the bolts in position.



Option 1



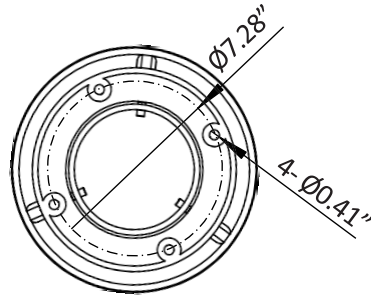
Option 2

SOLAR BOLLARD 2SPBL13/ 2SPBL14

Installation instructions

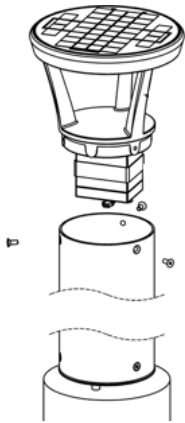


BASEPLATE DIMENSIONS



CONNECT BATTERY

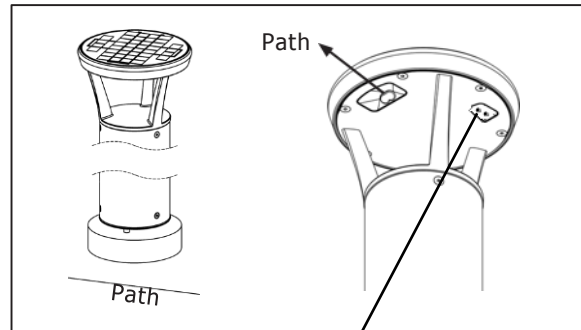
Remove the head of the bollard from the post and connect the battery cables. Observe the light to ensure it illuminates for approximately 20 seconds after connecting the battery. If the light does not illuminate after connecting the battery, please call us .



Battery integrated in the fixture

For 2SPBL13/14-T3 model only

Ensure the LED optic is facing the pathway.



Switch ON/OFF
LED Color button

PUT BACK HEAD

Place the head back on the post and fasten with the supplied 1/4 - 20 screws and tighten to 65 in-lbs.