

Solar bollards 2SPBL-Series

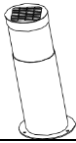


Installation instructions

Contents




Component List.....	3
Installation.....	4
Picture 1 Picture 2.....	4
Picture 3 Picture 4.....	4
Picture 5 Picture 6.....	5
Picture 7 Picture 8.....	5
Picture 9 Picture 10.....	6

1. Component list

2SPBL1, 2SPBL2, 2SPBL3, 2SPBL4, 2SPBL5, 2SPBL6, 2SPBL7, 2SPBL8, 2SPBL9, 2SPBL10, 2SPBL12 series:

item	component	quantities	image	remark
1	Solar bollard	1 PC		
2	Expansion bolt	3 PCS		optional
3	Metal holder	1 PC		optional

2SPBL11 series:

item	component	quantities	image	remark
1	Solar bollard	1 PC		
2	Expansion bolt	4 PCS		optional
3	Anchor bolts	1 PC		optional

2. Installation

This product has two kinds of installation:

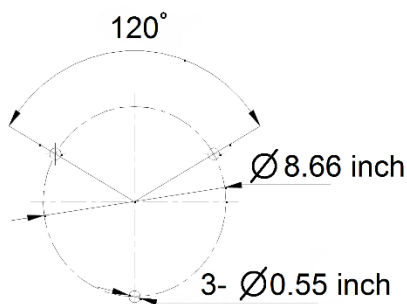
1. For cement ground: do not need anchor bolts, use expansion bolt fix solar lamp body directly.

2SPBL1, 2SPBL2, 2SPBL3, 2SPBL4, 2SPBL5, 2SPBL6, 2SPBL7, 2SPBL8, 2SPBL9, 2SPBL10, 2SPBL12 series prepare three mounting holes, diameter 0.55 in, depth 3.34 in.

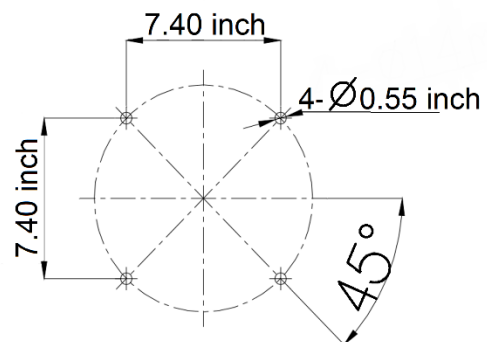
(see picture 1)

2SPBL11 series prepare four mounting holes, diameter 0.55 in, depth 3.34 in.

(see picture 2)

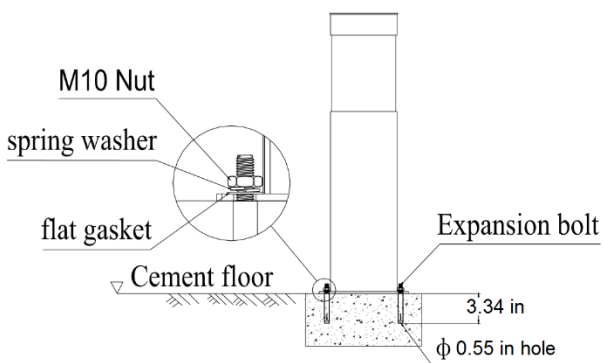


Picture 1

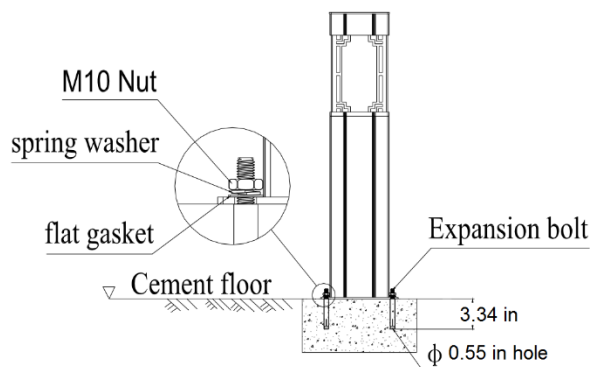


Picture 2

2. Use M10 bolts to fasten lamp body.
3. Cover lamp base with 1.96 inch cement,



Picture 3



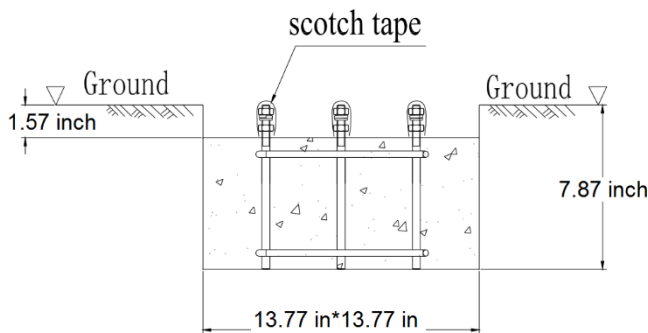
Picture 4

② We are recommending for soft ground: use anchor bolts to install the bollard per to the below.

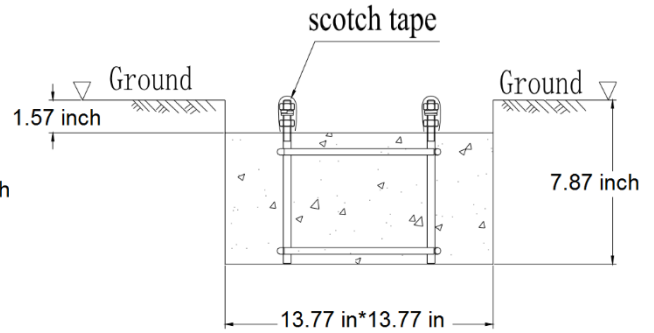
1. Dig a hole, size 13.77 in(L)*13.77in(W) *7.87in(H).

2SPBL1, 2SPBL2, 2SPBL3, 2SPBL4, 2SPBL5, 2SPBL6, 2SPBL7, 2SPBL8, 2SPBL9, 2SPBL10,

2SPBL12 series see picture 5, 2SPBL11 series see picture 6.



Picture 5

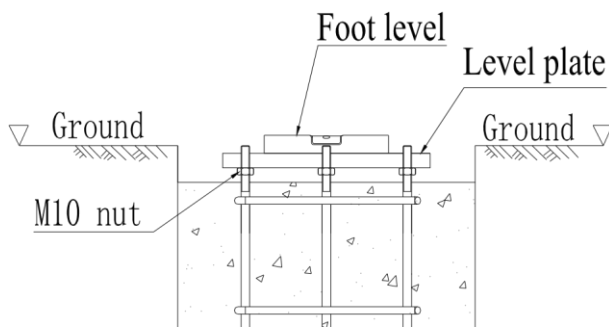


Picture 6

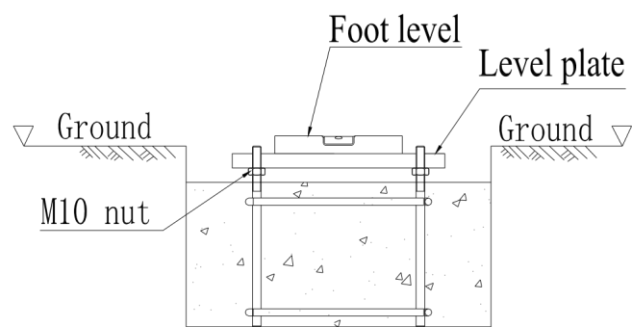
2. As above picture 5 and picture 6, wrap screw thread with scotch tape to prevent cement, then put metal holder in the middle of hole, adjust the best position.

3. Cover metal holder with cement, and preserve 1.57 inch screw pole.

Use level ruler Adjust the position of metal holder (2SPBL1, 2SPBL2, 2SPBL3, 2SPBL4, 2SPBL5, 2SPBL6, 2SPBL7, 2SPBL8, 2SPBL9, 2SPBL10, 2SPBL12 series see picture 7, 2SPBL11 series see picture 8)



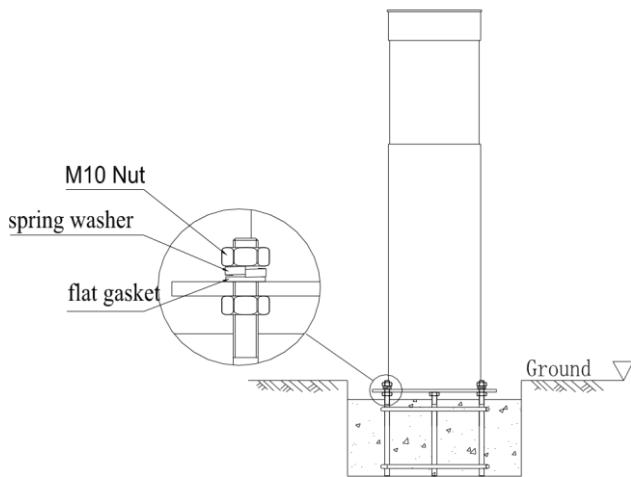
Picture 7



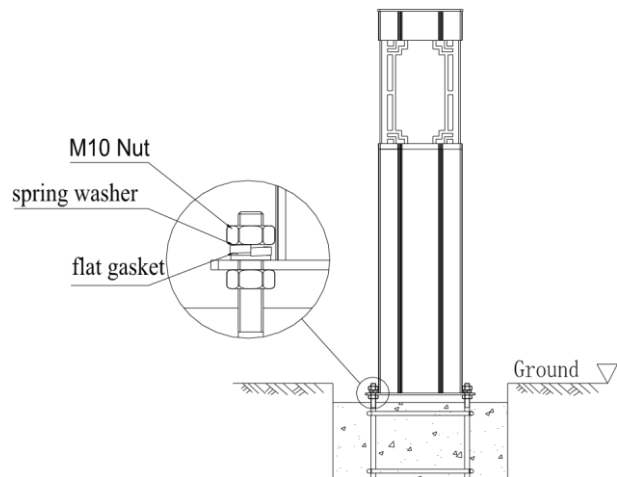
Picture 8

2. Put bollard on the anchor bolts, lock it using M10 nut and gasket.

2SPBL1, 2SPBL2, 2SPBL3, 2SPBL4, 2SPBL5, 2SPBL6, 2SPBL7, 2SPBL8, 2SPBL9,
2SPBL10, 2SPBL12 see picture 9, 2SPBL11 see picture 10.



Picture 9



Picture 10

Bury solar bollard using cement and have it on surface level.