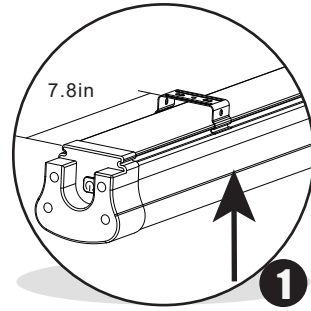
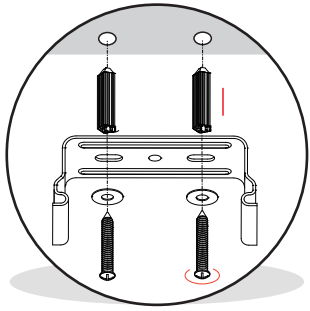




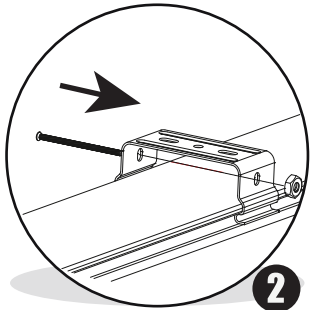
User Manual



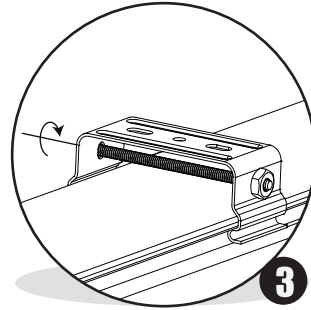
SP-XL Series



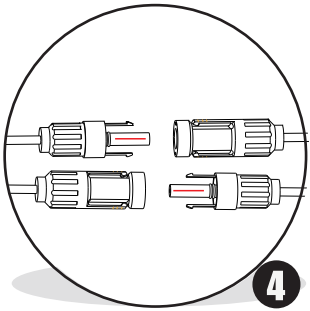
Connect the two metal clips into position and attach to the surface. It is recommended that each clip is positioned approximately 7.8in from each end of the SP-XL. Caution : Ensure correct anchor sleeves are used for surface material. Please see package contents before installation.



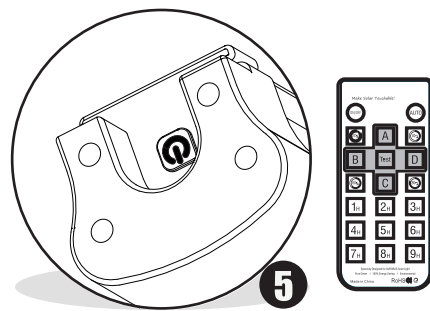
Insert Tension Bolt and attach the SP- XL to the metal clips.



Using a screw driver, secure each clip onto the SP-XL with the Tension bolt.
Note : This is only to secure the SP-XL so it cannot be removed - Do not over tighten.



Connect the MC4 Connectors to the Solar PV panel.
Note : A matching pair of MC4 connectors are included in the contents of this package. If the Solar PV Panel does NOT have an identical pair of MC4 connectors, replace them with the ones provided to guarantee a weather tight connection



Power ON the SP-XL. A RED signal light can be seen at the sensor end of the SP-XL. Program the light to best suit your installation.


Please refer to setup guide of manual properly.



Lighting Modes Zone

Time Zone

Key Button Manual

-  Switch ON/OFF manually with 100% power, Support ON status even if when charging, like normal switch function.
-  Light will ON/OFF automatically upon Day and Night, light should be turned on and connect to solar panel successfully, Make sure to presse "AUTO" mode before you set the mode if need light to work automatically.
-  Only for testing, Light will work 20 seconds no matter the panel is connected or not if light is in good condition. There will be a red indicator light working near next to the cap if the battery is over-discharged, then battery should be charged
-  Constant lighting mode, Light will work with 20% power for 12 hours, if press "6Hrs" within 5sec, Light will work with 20% power for 6 hours,
-  Constant lighting mode, Light will work with 40% power for 12 hours, if press "8Hrs" within 5sec, Light will work with 40% power for 8 hours,
-  Constant lighting mode, Light will work with 60% power for 12 hours, if press "6Hrs" within 5sec, Light will work with 60% power for 6 hours,
-  Constant lighting mode, Light will work with 80% power for 12 hours, if press "4Hrs" within 5sec, Light will work with 80% power for 4 hours,
-  Light will work with 0% power normally but 100% power for 1 mins when sensor is triggered. Default duration is 12 hours totally if press "6Hrs" within 5sec, Light will work in this funtion for 6 hours.
-  Light will work with 30% power normally but 100% power for 1 mins when sensor is triggered. Default duration is 12 hours totally if press "9Hrs" within 5sec, Light will work in this funtion for 9 hours.
-  Light will work with 50% power normally but 100% power for 1 mins when sensor is triggered. Default duration is 12 hours totally if press "8Hrs" within 5sec, Light will work in this funtion for 8 hours.
-  100% for first 6 hours + 50% + 100% when sensor is triggered for next 6 hours, Default duration is 12 hours, if press "7Hrs" within 5sec, It will work with 100% for 3.5 hours then 50% + 100% for next 3.5 hours
-  Time Setting : Lighting duration will be only 1 hour, (Eg. A is pressed and then 1H is pressed, light will work with 100% for 1 hour)
-  Time Setting : Lighting duration will be only 2 hours, (Eg. 40% is pressed and then 2H is pressed, light will work with 40% for 2hours)
-  Time Setting : Lighting duration will be only 3 hours, (Eg. B is pressed and then 3H is pressed, light will work with 100% for 1.5hours and 50% for 1.5 hours)
-  Time Setting : Lighting duration will be only 4 hours, (Eg. D is pressed and then 4H is pressed, Light will work with 100% for 1.33 hours+ 60% for 1.33 hours + 30% for 1.33 hours,
-      5-6-7-8-9 are similar time function as 1-2-3-4....